



USES



Bleach



Remove stains



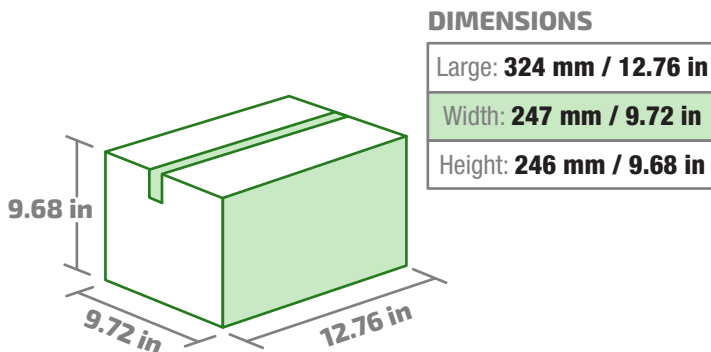
Eliminate bad smells

TECHNICAL DATA

BOTTLE NET CONTENT	1.00 / 33.82	L / fl. oz
GROSS BOTTLE WEIGHT	1.09 / 2.40	Kg / lb
PIECES PER CASE	12	pcs
GROSS CASE WEIGHT	13.55 / 29.87	Kg / lb
CASES PER LAYER	14	pcs
NUMBER OF LAYERS	5	
CASES PER PALLET	70	pcs
GROSS PALLET WEIGHT	948.5 / 2,091.09	Kg / lb

BOTTLE BAR CODE	CASE BAR CODE
 7 41120 00063 0	 1 074112 000063 7

1L CASE



TECHNICAL DATA PALLET

